

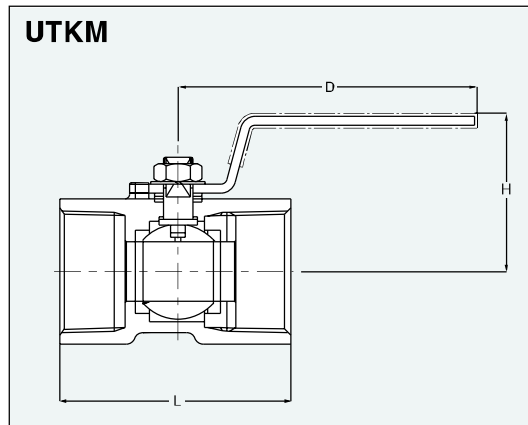
## Type 600/1000 Stainless Steel Ball Valves

### Reduced port, Uni-body design, Threaded ends

Page 8 for Pressure-Temperature Ratings

#### Features

- Blowout-proof stem
- Choice of threaded ends:
  - Rc threads to BS 21 (Fig. UTKM)
  - NPT threads to ASME B1.20.1 (Fig. AKUTKM)



#### Standard materials

Parts	Materials
Body	CF8M
Ball	316
Stem	316
Seat	Glass filled PTFE or HYPATITE® PTFE *
Gland packing	Reinforced PTFE
Handle	Plastic covered S.S.

\* HYPATITE® PTFE for Type 1000

End-to-end dimensions: KITZ standard

#### Valve operator

Lever operation  
T-type handle as option

#### Test pressure

Shell (Hydrostatic):  
Type 600: 6.20MPa (900psi)  
Type 1000: 10.34MPa (1500psi)  
Seat (Air): 0.55MPa (80psi)

#### Dimensions

Valve Size	Unit: mm								
	in.	1/4	3/8	1/2	3/4	1	1 1/4	1 1/2	2
	mm	8	10	15	20	25	32	40	50
Ball Bore		4.5	6.8	9.2	12.5	16	20	24.5	32
L		39	44	56.5	59	71	78	83	100
H		31	36	41	44	48	54	65	75
D		60	70	85	85	100	100	125	125

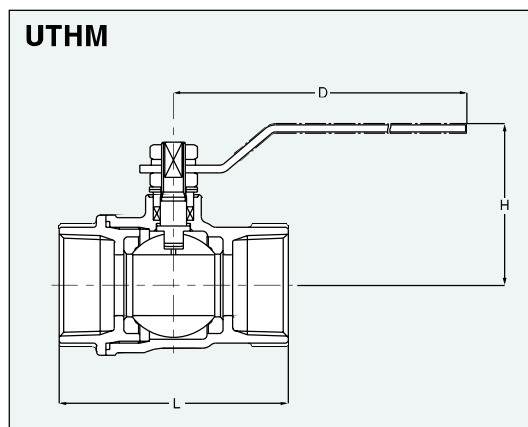
## Type 800 Stainless Steel Ball Valves

### Regular port, Split body design, Threaded ends

Page 8 for Pressure-Temperature Ratings

#### Features

- Blowout-proof stem
- Choice of threaded ends:
  - Rc threads to BS 21 (Fig. UTHM)
  - NPT threads to ASME B1.20.1 (Fig. AKUTHM)



#### Standard materials

Parts	Materials
Body	CF8M
Body cap	CF8M
Ball	316
Stem	316 Cr plated
Seat	PTFE
Gland packing	PTFE
Handle	Plastic covered S.S.

End-to-end dimensions: KITZ standard

#### Valve operator

Lever operation

#### Test pressure

Shell (Hydrostatic): 8.27MPa (1200psi)  
Seat (Air): 0.55MPa (80psi)

#### Dimensions

Valve Size	Unit: mm						
	in.	1/2	3/4	1	1 1/4	1 1/2	2
	mm	15	20	25	32	40	50
Ball Bore		10	15	20	25	32	40
L		60	70	80	95	108	124
H		47	53	63	67	78	84
D		100	100	130	130	150	150